

# LF3 SERIES Outdoor Lighting

LF3-30WW-TR  
LF3-30NW-TR  
LF3-30CW-TR



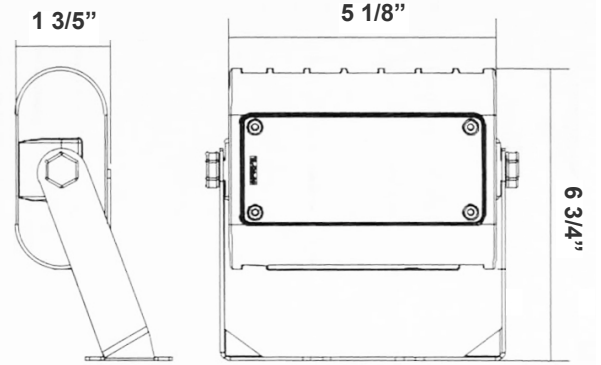
Ideal for general site lighting, alleys, loading docks, doorways, pathways, parking areas. Replace existing HID flood lights/wall packs. Great for use with motion sensors or another instant on/off controls. Solid-state lighting technology for long life, low maintenance, and high efficiency.

Customer Name: \_\_\_\_\_

Project Name: \_\_\_\_\_

Note: \_\_\_\_\_

Type: \_\_\_\_\_



6-3/4"(H) x 5-1/8"(W) x 1-3/5"(D)

## Features

- LF3 Flood Light Series With Trunnion
- DLC Premium & LED High-Lumen Floor lights
- 70,000 hours rated life
- 7-Year Warranty
- Optic Lens Type: II

## Technical Specifications

### Electrical:

- Voltage: 100-277VAC 50/60Hz
- Wattage: 30W
- Output voltage: 36-60VDC
- Power Factor: >0.9
- Output Current: 0.25A
- Driver Efficiency: 88%

### Lighting:

- LED: SMD 3030/ Philips Lumileds LEDs
- Cord type: 18" SJTW 18/3 AWG cable
- Total lumens: 3600LM
- Color temperature: 3000K/ 4000K/ 5000K
- Color rendering index: CRI > 82
- Beam Angle: 120°x90°

### Mechanical:

- Die-cast Aluminum Housing with Powder Coat Finish (Dark Bronze)
- Solid State Lighting technology for long life, no Maintenance needed and High-Efficiency
- High Conductive Aluminum LED Board
- IP Rating: IP65
- Operating Temperature: -40°F to 104°F
- Suitable for Wet Locations

### Applications:

- Ideal for general site lighting, alleys, loading docks, doorway, pathway and parking areas.
- Replace existing HID flood lights/ wall packs
- Great for use with motion sensors or other instant on/off controls

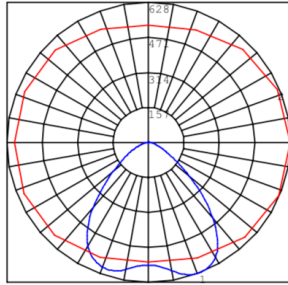
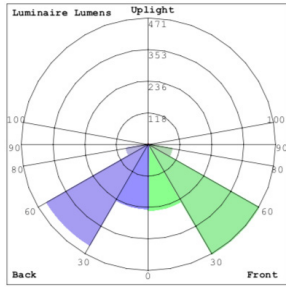
### Other Models:

- 15W | 1700LM | LF3-30WW-TR
- 15W | 1700LM | LF3-30NW-TR
- 15W | 1700LM | LF3-30CW-TR
- 50W | 6100LM | LF3-50WW-TR
- 50W | 6100LM | LF3-50NW-TR
- 50W | 6100LM | LF3-50CW-TR

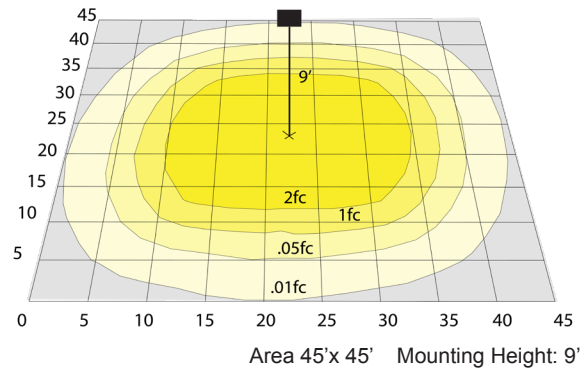


## Photometrics: LF3-30W

### TYPE II



BUD Rating: B1-U1-G1



Area 45'x 45' Mounting Height: 9'

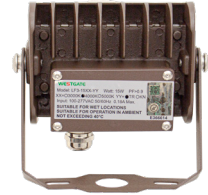
## Other Views:



Front View



Side View



Back View

## Performance Table: LF3-30W

MODEL NO.	Wattage	Voltage	Lumens	Color Temp.	BUG Rating	LPW
LF3-30WW	30W	120~277V	3600LM	3000K	B1-U1-G1	120
LF3-30NW	30W	120~277V	3600LM	4000K	B1-U1-G1	120
LF3-30CW	30W	120~277V	3600LM	5000K	B1-U1-G1	120

## Sample Ordering

Model Wattage Color Temp.

LF3 - 30 - [ ] - TR

WW = 3000K  
NW = 4000K  
CW = 5000K

## Accessories Options

Blank = No Option For Accessories  
LF3-SH1 = Shroud for LF3 30W Reversible  
LF3-SH1FG = Full-Glare Shroud for LF3 30W

### Example:

- LF3-30WW-TR (For LF3 30W 3000K fixture 120-277V)
- LF3-30WW-KTR (For LF3 30W 3000K fixture 120-277V)
- LF3-SH1 (Shroud for LF3 30W)

## ACCESSORIES AND MOUNTING OPTIONS



LF3-SH1  
Shroud (Reversible)



LF3-SH1FG  
Full-Glare Shroud



LF series floods are pre-wired with 18" cord (18/3 SJTW) and compression fitting



Fixture is pre-wired with 16/3 SO cord

**WESTGATE**

Phone: (877) 805-2252 | Fax: (877) 805-2252  
www.westgatemfg.com | www.westgatecontrols.co

